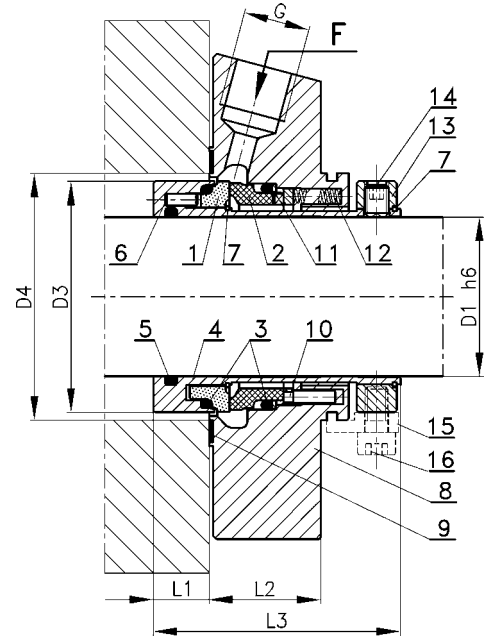
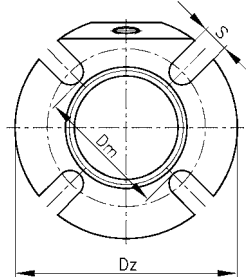
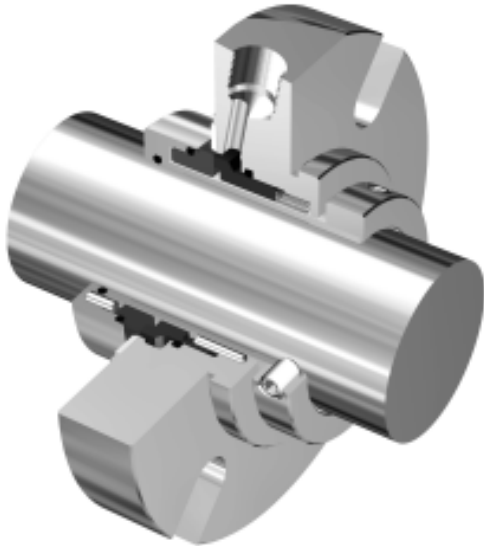


Operating limits		
Pressure	p_{max}	2.0 MPa
Temperature	t_{max}	200 °C *
Speed	v_{max}	12.5 m/s

* - see diagram "Thermal resistance of elastomers".

Single cartridge (compact) mechanical seal, balanced, multi-spring and dual directional.



Dimensions (mm)

D1	D3	D4 _{min}	D4 _{max}	Dm	Dz	L1	L2	L3	S	G
22	38.0	40.0	48.0	56	105	15	28	63	14	1/4
25	43.0	44.0	51.0	58	105	15	28	63	14	1/4
26	46.0	47.0	52.0	65	105	15	28	63	14	1/4
28	46.0	47.0	52.0	65	105	15	28	63	14	1/4
30	48.0	49.0	56.0	65	105	15	28	63	14	1/4
32	49.8	51.0	57.0	67	105	15	28	63	14	1/4
33	49.8	51.0	57.0	67	110	15	28	63	14	1/4
35	53.0	54.0	62.0	70	113	15	28	63	14	3/8
38	56.0	57.0	66.0	75	123	15	28	63	14	3/8
40	58.0	59.0	69.0	75	123	15	28	63	16	3/8
43	60.5	61.5	70.5	80	130	15	28	63	16	3/8
45	62.5	64.0	73.0	80	130	15	28	63	16	3/8
48	65.6	67.0	75.0	84	138	15	28	63	16	3/8
50	68.0	69.0	78.0	87	142	15	28	63	16	3/8
53	72.0	73.0	87.0	97	147	15	28	63	18	3/8
55	73.0	74.0	83.0	97	147	15	28	63	18	3/8
60	78.0	79.0	91.0	102	157	15	28	63	18	3/8
65	83.0	84.5	99.0	109	163	15	28	63	18	3/8
70	93.0	95.0	108.0	118	170	19	32	77	18	3/8
75	98.0	100.0	119.0	129	190	19	32	77	18	3/8
80	105.0	107.0	124.0	135	195	19	32	77	18	3/8
85	110.0	112.0	128.0	139	200	19	32	77	22	3/8
90	115.0	117.0	135.0	145	205	19	32	77	22	3/8
95	119.0	120.7	137.0	148	210	19	32	77	22	3/8
100	125.4	127.0	144.0	154	218	19	32	77	22	3/8

Other dimensions are available in option. Please contact with ANGA.

Legend

- | | | |
|--------------------|-------------------|-----------------------|
| 1. Rotating ring | 7. Retaining ring | 13. Clamping ring |
| 2. Stationary ring | 8. Cover | 14. Grub screw |
| 3. O-ring | 9. Flat gasket | 15. Centring arms |
| 4. Sleeve | 10. Thrust ring | 16. Socket head screw |
| 5. O-ring | 11. Washer | |
| 6. Pin | 12. Springs | |

Application

Type BE2 mechanical seals are destined for process centrifugal pumps and other equipment with rotating shafts and handling such fluids like:

- hydrocarbons and oils,
 - low - aggressive chemicals,
 - slurries containing solid particles,
 - liquids undergoing cristalization while in contact with air,
 - water (pure, dirty, sewage, waste),
- and used mostly in following industries: petrochemical and refinery, pulp & paper, sugar, chemical and in power generating plants as well as in wastewater treatment plants.

Features

- a compact design very suitable for stuffing boxes with restricted space,
- easy and quick assembly and disassembly,
- outside, pressure-less quench working in either close or open circuit, enables dry run,
- the seal is centered against pump shaft,
- stationary ring can compensate shaft, both radial run-out and axial moves,
- springs are protected against contact with both pumped medium as well as quench fluid.

Materials

Part	Code
Rotating ring	Q, U
Stationary ring	A, B, Q
Secondary flexible seals	P, E, V, K
Springs	M
Other metal parts	G, M