

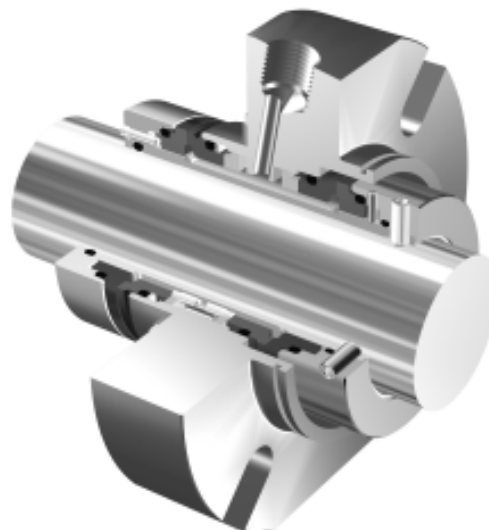
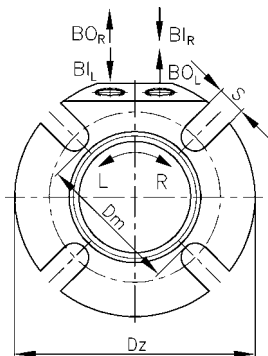
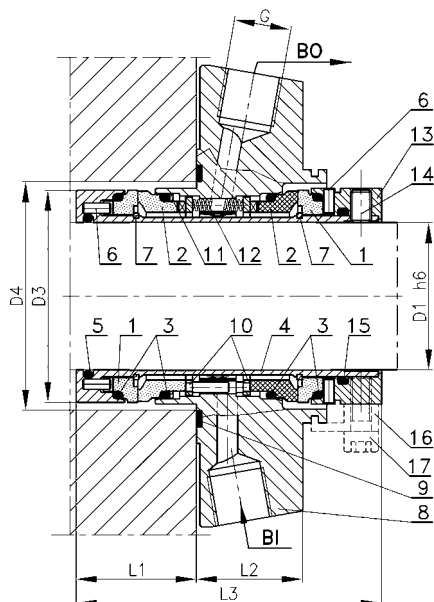
Double cartridge (compact) mechanical seal, balanced, multi-spring and dual directional.

ATTENTION:

Depending on kind of sealed liquid a barrier fluid installation is required to the seal.

Operating limits		
Pressure	p_{max}	1.6 MPa
Temperature	t_{max}	200 °C *
Speed	v_{max}	12.5 m/s

* - see diagram „Thermal resistance of elastomers“.



Legend

- | | | |
|--------------------|-------------------|--------------------|
| 1. Rotating ring | 7. Expanding ring | 13. Clamp ring |
| 2. Stationary ring | 8. Cover | 14. Screw |
| 3. O-ring | 9. PTFE gasket | 15. O-ring |
| 4. Sleeve | 10. Hold ring | 16. Distance plate |
| 5. O-ring | 11. Thrust ring | 17. Hex screw |
| 6. Pin | 12. Springs | |

Application

Type BED mechanical seals are destined for process centrifugal pumps and mixers handling fluids containing abrasive particles (ashes, ores, cement and other similar), heavy consistence or gluey slurries and used mostly in following industries: petrochemical, refinery, chemical, pulp & paper, sugar and in wastewater treatment plants.

Features

- a compact design – suits for stuffing boxes with restricted space
- easy and quick assembly and disassembly
- external, pressure buffer installation system with closed circulation
- the seal is self-centered against pump's shaft
- stationary ring can compensate both axials and radial runout of the shaft
- recommended for work with mediums dangerous for environment or health

Dimensions (mm)

D1	D3	D4 _{min}	D4 _{max}	Dm	Dz	L1	L2	L3	S	G
22	38.0	40.0	48.0	56	105	36	31	91	14	1/4
25	43.0	44.0	51.0	58	105	36	31	91	14	1/4
26	46.0	47.0	52.0	65	105	36	31	91	14	1/4
28	46.0	47.0	52.0	65	105	36	31	91	14	1/4
30	48.0	49.0	56.0	65	105	36	31	91	14	1/4
32	49.8	51.0	57.0	67	105	36	31	91	14	1/4
33	49.8	51.0	57.0	67	110	36	31	91	14	1/4
35	53.0	54.0	62.0	70	113	36	31	91	14	3/8
38	56.0	57.0	66.0	75	123	36	31	91	14	3/8
40	58.0	59.0	69.0	75	123	36	31	91	16	3/8
43	60.5	61.5	70.5	80	130	36	31	91	16	3/8
45	62.5	64.0	73.0	80	130	36	31	91	16	3/8
48	65.6	67.0	75.0	84	138	36	31	91	16	3/8
50	68.0	69.0	78.0	87	142	36	31	91	16	3/8
53	72.0	73.0	87.0	97	147	36	31	91	18	3/8
55	73.0	74.0	83.0	97	147	36	31	91	18	3/8
60	78.0	79.0	91.0	102	157	36	31	91	18	3/8
65	83.0	84.5	99.0	109	163	36	31	91	18	3/8
70	93.0	95.0	108.0	118	170	46	35	112	18	3/8
75	98.0	100.0	119.0	129	190	46	35	112	18	3/8
80	105.0	107.0	124.0	135	195	46	35	112	18	3/8
85	110.0	112.0	128.0	139	200	46	35	112	22	3/8
90	115.0	117.0	135.0	145	205	46	35	112	22	3/8
95	119.0	120.7	137.0	148	210	46	35	112	22	3/8
100	125.4	127.0	144.0	154	218	46	35	112	22	3/8

Other dimensions are available in option. Please contact with ANGA.

Materials

Part	Code
Stationary and rotating ring	A, B, U, Q
Secondary, flexible seals	E, P, K, V
Springs	G, M
Other metal parts	F, G