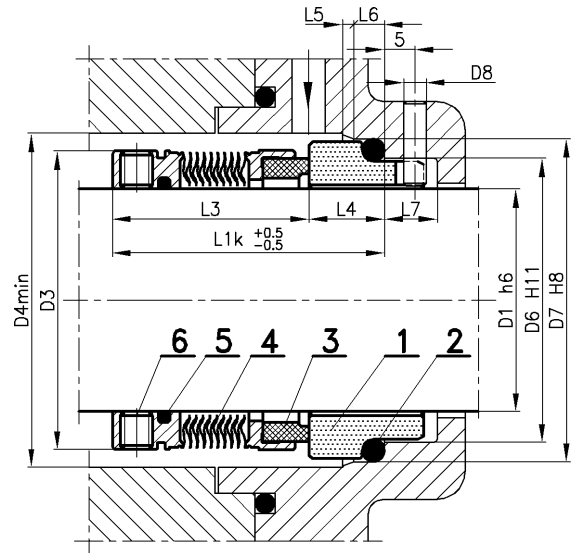
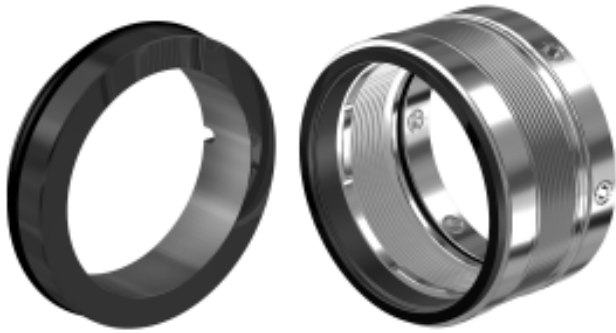


Operating limits		
Pressure	p_{max}	1.0 MPa
Temperature	t_{max}	-50 to 260 °C *
Speed	v_{max}	20 m/s

* - see diagram „Thermal resistance of elastomers“.

Single mechanical seal, with METAL bellows, balanced, dual directional.



Dimensions (mm)

D1	D3	D4	D6	D7	D8	L3	L4	L1k	L5	L6	L7
22	37	38	31	37	3	26.0	11,5	37.5	2.0	5	9
25	39	41	34	40	3	28.5	11.5	40.0	2.0	5	9
28	42	44	37	43	3	31.0	11.5	42.5	2.0	5	9
30	44	46	39	45	3	31.0	11.5	42.5	2.0	5	9
32	46	48	42	48	3	31.0	11.5	42.5	2.0	5	9
33	47	49	42	48	3	31.0	11.5	42.5	2.0	5	9
35	49	51	44	50	3	31.0	11.5	42.5	2.0	5	9
38	54	56	49	56	4	31.0	14.0	45.0	2.0	6	9
40	56	60	51	58	4	31.0	14.0	45.0	2.0	6	9
43	59	63	54	61	4	31.0	14.0	45.0	2.0	6	9
45	61	65	56	63	4	31.0	14.0	45.0	2.0	6	9
48	64	68	59	66	4	31.0	14.0	45.0	2.0	6	9
50	66	70	62	70	4	32.5	15.0	47.5	2.5	6	9
53	69	73	65	73	4	32.5	15.0	47.5	2.5	6	9
55	71	75	67	75	4	32.5	15.0	47.5	2.5	6	9
58	78	83	70	78	4	32.5	15.0	47.5	2.5	6	9
60	80	85	72	80	4	37.5	15.0	52.5	2.5	6	9
63	83	88	75	83	4	37.5	15.0	52.5	2.5	6	9
65	85	90	77	85	4	37.5	15.0	52.5	2.5	6	9
68	88	93	81	90	4	37.5	15.0	52.5	2.5	7	9
70	90	95	83	92	4	43.0	17.0	60.0	2.5	7	9
75	99	104	88	97	4	43.0	17.0	60.0	2.5	7	9
80	104	109	95	105	4	43.0	17.0	60.0	3.0	7	9
85	109	114	100	110	4	43.0	17.0	60.0	3.0	7	9
90	114	119	105	115	4	48.0	17.0	65.0	3.0	7	9
95	119	124	110	120	4	48.0	17.0	65.0	3.0	7	9
100	124	129	115	125	4	48.0	17.0	65.0	3.0	7	9

Other dimensions are available in option. Please contact with ANGA.

Legend

1. Stationary ring
2. O-ring
3. Rotating ring
4. Seal housing and metal bellows
5. O-ring
6. Grub screw

Application

Type E1 mechanical seals are destined for petrochemical, chemical, pharmaceutical and food processing industry, for process pumps and other equipment with rotating shaft.

Recommended for high temperature mediums e.g. hot oils, pitch, tar, hydrocarbons.

Materials

Part	Code
Rotating ring	A, B, Q
Stationary ring	Q, V
Secondary, flexible seals	P, V, E, K
Other metal parts	G, M